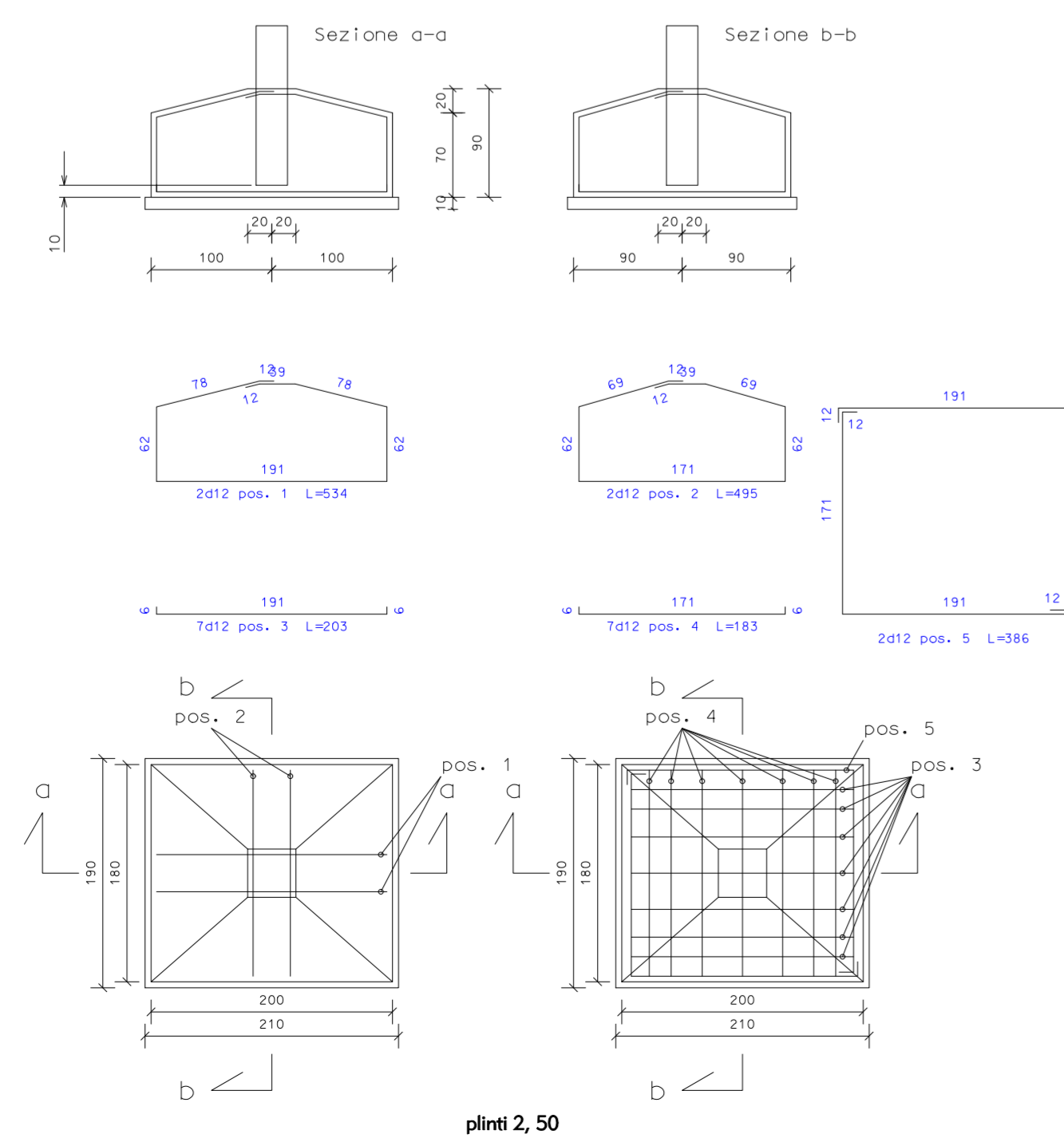
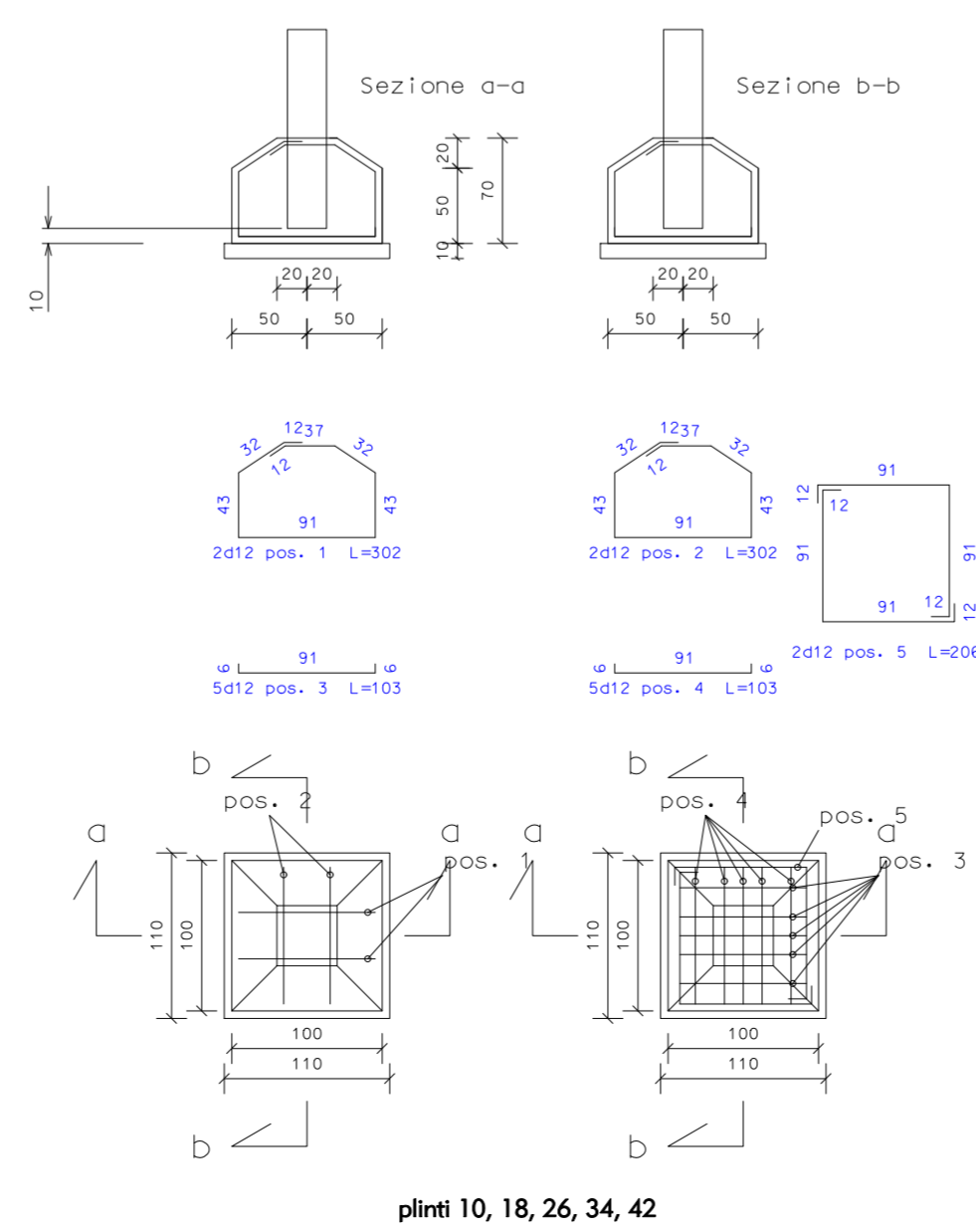


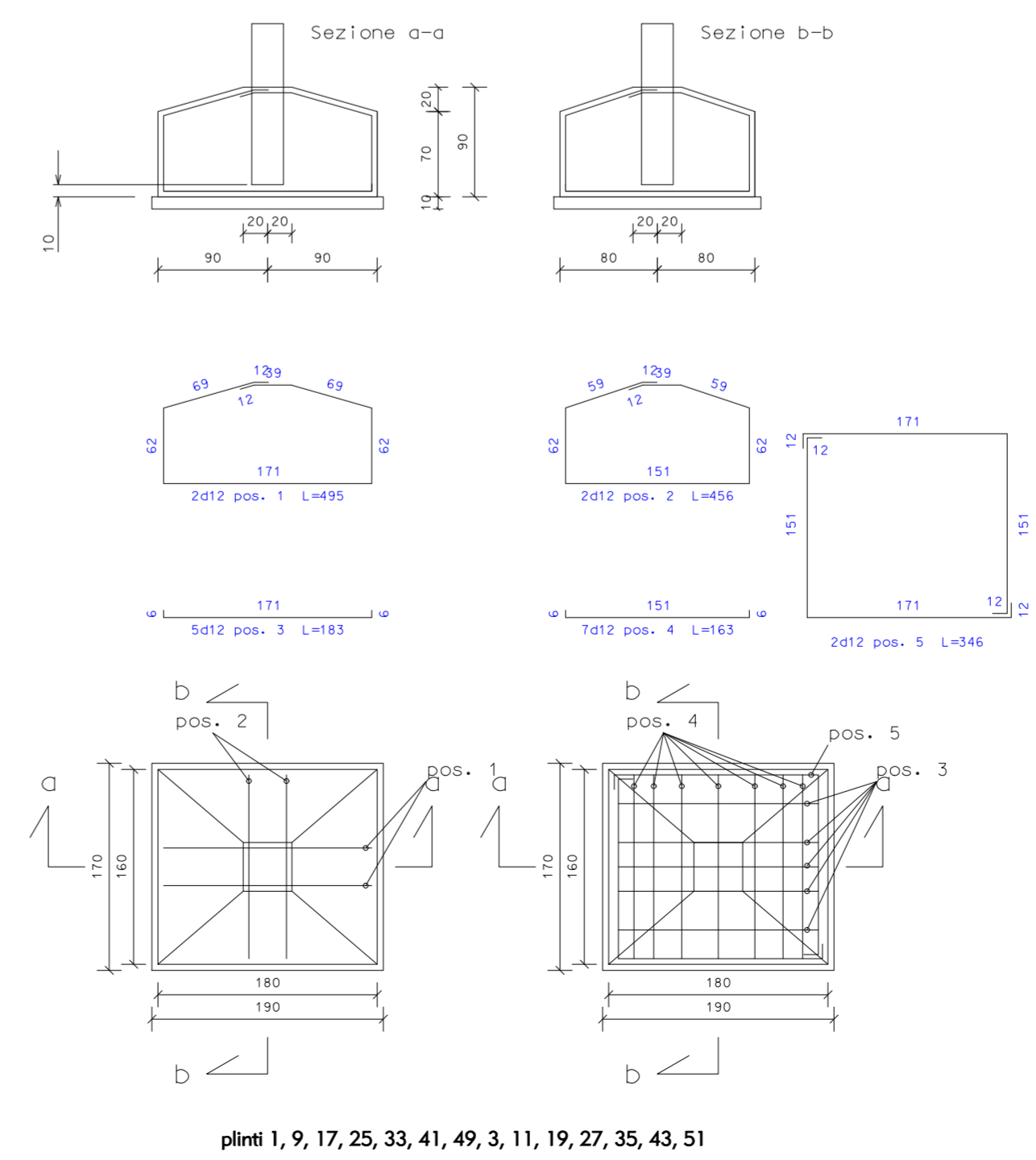
PIANTA DELLE FONDAZIONI



plinti 2, 50



plinti 10, 18, 26, 34, 42



plinti 1, 9, 17, 25, 33, 41, 49, 3, 11, 19, 27, 35, 43, 51